

VC-MP-T1-Z

Order No.: 1884898

The illustration shows version VC-MP-T3-Z



<http://eshop.phoenixcontact.de/phoenix/treeViewClick.do?UID=1884898>

Metal sleeve housing, powder-coating, locking screws with cylindrical head, type 1, cable screw connection Pg16

Commercial data	
EAN	4017918187026
Pack	5 Pcs.
Customs tariff	85369010
Weight/Piece	0.23558 KG
Catalog page information	Page 301 (PC-2007)

Product notes

WEEE/RoHS-compliant since:
11/07/2006



<http://www.download.phoenixcontact.com>
Please note that the data given here has been taken from the online catalog. For comprehensive information and data, please refer to the user documentation. The General Terms and Conditions of Use apply to Internet downloads.

Technical data**General characteristics**

Note	When using fiber optics, the bending radii of the cable manufacturers must be observed.
Design	VC1
Degree of protection	IP65/IP66/IP67
Type of the screw connection	1x Pg16
Pg screw connection	None
Cable exit	Lateral
Number of module slots	2
Housing material	Zinc die-cast
Housing surface material	Powder coating
Seal material	EPDM
Ambient temperature (operation)	-40 °C ... 125 °C

Accessories

Item	Designation	Description
General		
1885460	VC-M-KV-PG16 1X3/1X9	Multiple screw connection Pg16, made of metal, consisting of rubber seal with several holes and a pressure screw, for cable screw connection support VC-M-KV-PG16.....
1885499	VC-M-KV-PG16 1X3/2X8	Multiple screw connection Pg16, made of metal, consisting of rubber seal with several holes and a pressure screw, for cable screw connection support VC-M-KV-PG16.....
1885509	VC-M-KV-PG16 1X5/2X6	Multiple screw connection Pg16, made of metal, consisting of rubber seal with several holes and a pressure screw, for cable screw connection support VC-M-KV-PG16.....
1885473	VC-M-KV-PG16 1X6/1X8	Multiple screw connection Pg16, made of metal, consisting of rubber seal with several holes and a pressure screw, for cable screw connection support VC-M-KV-PG16.....
1885473	VC-M-KV-PG16 1X6/1X8	Multiple screw connection Pg16, made of metal, consisting of rubber seal with several holes and a pressure screw, for cable screw connection support VC-M-KV-PG16.....
1885512	VC-M-KV-PG16 2X6/1X7	Multiple screw connection Pg16, made of metal, consisting of rubber seal with several holes and a pressure screw, for cable screw connection support VC-M-KV-PG16.....
1885525	VC-M-KV-PG16 3X7	Multiple screw connection Pg16, made of metal, consisting of rubber seal with several holes and a pressure screw, for cable screw connection support VC-M-KV-PG16.....

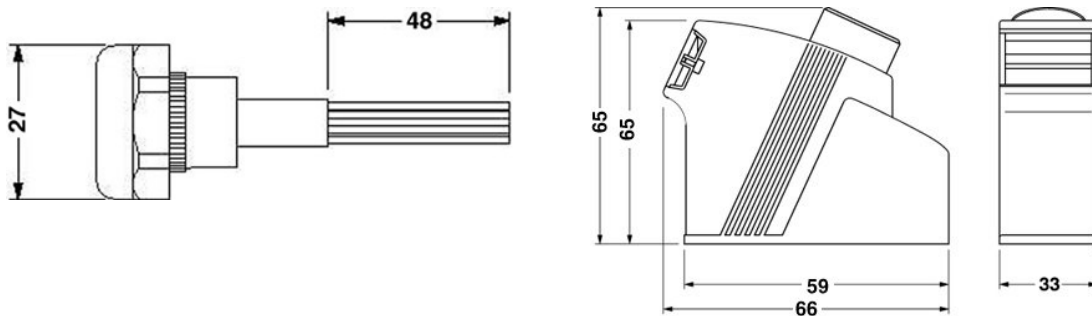
1853942	VC-M-KV-PG16(4- 6,5)	Half screw connection Pg16, made of metal, consisting of rubber seal with one hole and one pressure screw, for type 1 housings, cable [mm] 4 - 6.5
1853955	VC-M-KV-PG16(5- 8)	Half screw connection Pg16, made of metal, consisting of rubber seal with one hole and one pressure screw, for type 1 housings, cable [mm] 5 - 8
1853968	VC-M-KV-PG16(6,5- 9,5)	Half screw connection Pg16, made of metal, consisting of rubber seal with one hole and one pressure screw, for type 1 housings, cable [mm] 6.5 - 9.5
1853971	VC-M-KV-PG16(7-10,5)	Half screw connection Pg16, made of metal, consisting of rubber seal with one hole and one pressure screw, for type 1 housings, cable [mm] 7 - 10.5
1853984	VC-M-KV-PG16(9-13)	Half screw connection Pg16, made of metal, consisting of rubber seal with one hole and one pressure screw, for type 1 housings, cable [mm] 9 - 13
1854857	VC-M-KV-PG16(11,5-15,5)	Half screw connection Pg16, made of metal, consisting of rubber seal with one hole and one pressure screw, for type 1 housings, cable [mm] 11.5 - 15.5
1854857	VC-M-KV-PG16(11,5-15,5)	Half screw connection Pg16, made of metal, consisting of rubber seal with one hole and one pressure screw, for type 1 housings, cable [mm] 11.5 - 15.5

Marking

1852875	VC-BZS WH	Marker labels, unprinted, 5-section, for individual labeling with M-PEN or CMS system, white
---------	-----------	--

Drawings

Dimensioned drawing



Address

PHOENIX CONTACT GmbH & Co. KG
Flachmarktstr. 8
32825 Blomberg, Germany
Phone +49 5235 3 00
Fax +49 5235 3 41200
<http://www.phoenixcontact.de>



© 2008 Phoenix Contact
Technical modifications reserved;